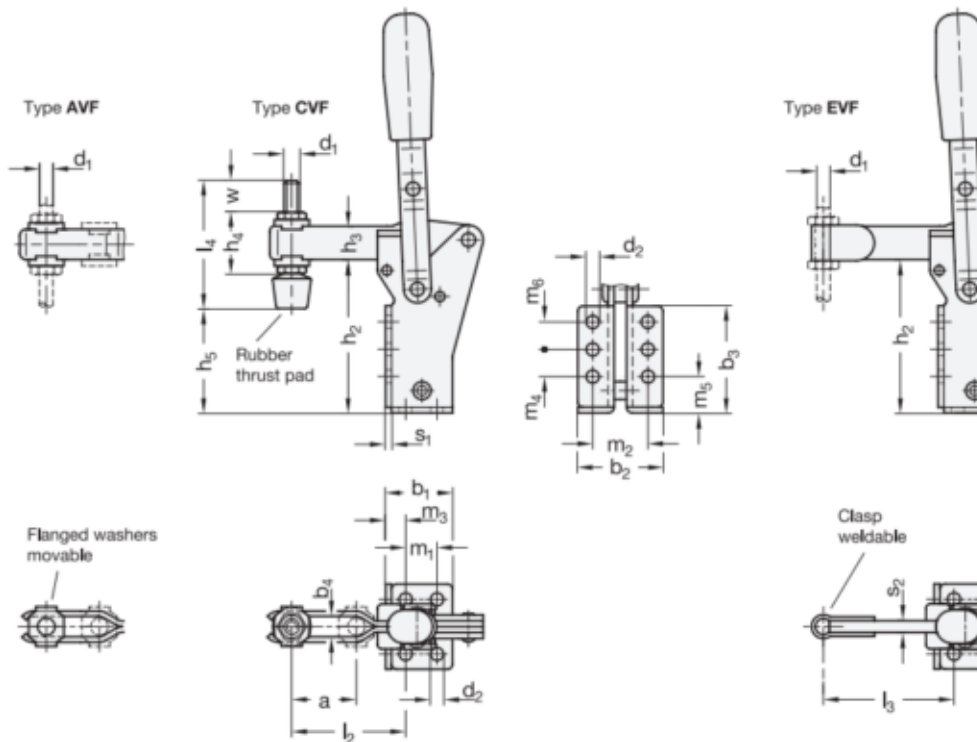


Article number: 20812175EVF  
 Description: E+G vertical clamps  
 GN 812.1-75-EVF

## Measures



b1 = 24	h3 = 11	m3 = 7
b2 = 34	h4 = -	m4 = 12.5
b3 = 30	Holding force in N = 750	m5 = 10
b4 = -	l1 = 67.5	r = 63
d1 = M 5	l2 = -	S1 = 2
d2 = 4.5	l3 Max. = 46	S2 = 4
h1 = 120	m1 = 12.5	Weight in g = 130
h2 = 43	m2 = 24	